

## Model MJS22K - Jetstreme II Fan



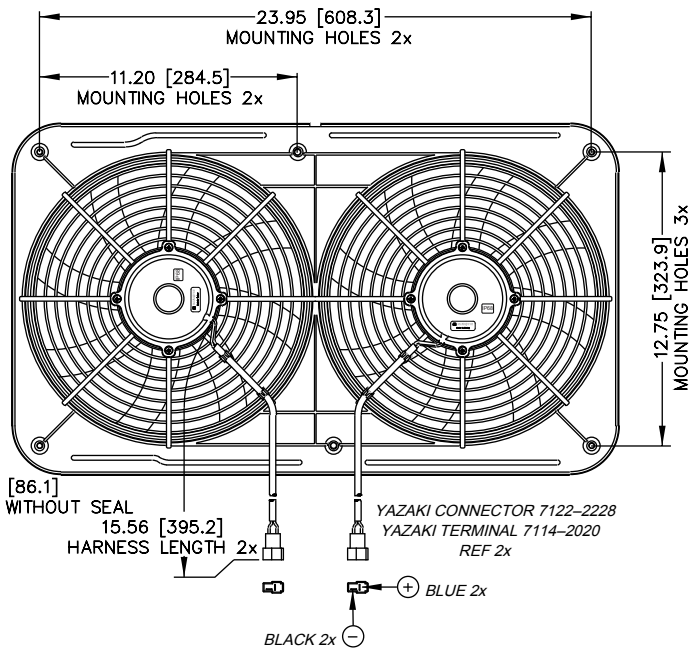
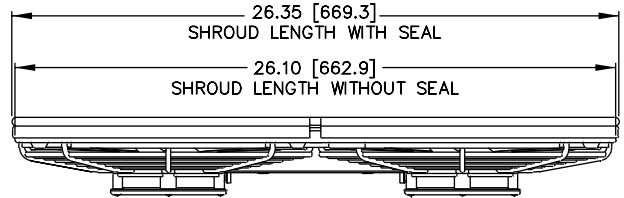
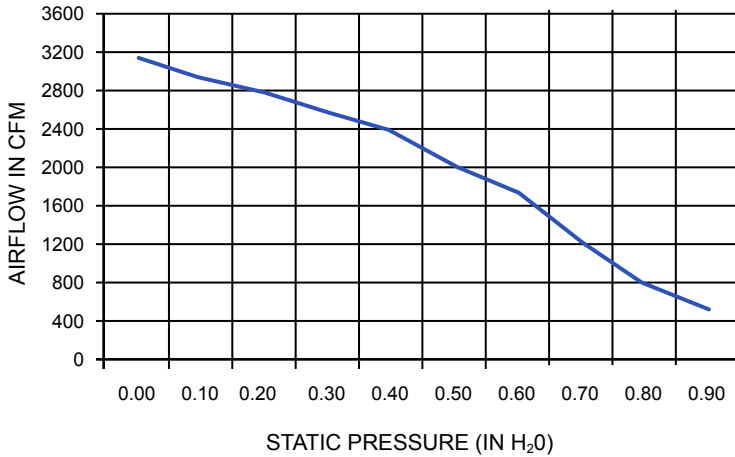
- Low profile allows for turbo
- Dual 225 watt sealed motors tested in accordance with DIN EN 60529, dust and water proof to IP68
- Quiet S-blade design
- All glass-filled nylon construction
- Rubber seal eliminates vibration contact and increases air flow
- Optional wire harnesses\* (sold separately)
  - Part No. MFA100 (adjustable thermostat)
  - Part No. MFA111 (dual fan adapter)
  - Part No. MFA102 (185° temperature switch)
  - Part No. MFA103 (195° temperature switch)
- Optional brackets\* (sold separately)
  - Part No. MFA107 (Rotates 90° to catch top & bottom or side U-channels) (Slotted mounting holes adjust to many different radiators)



(2) Fan Harness

(2) Pigtail

MFA107



TYPICAL PERFORMANCE DATA		
MJS22K DUAL 12" REVERSIBLE JETSTREME 12V 225W		
Static In H <sub>2</sub> O	Total Flow CFM	13.5 VDC AMPS
0.00	3130	27.0
0.10	2912	27.6
0.20	2754	28.6
0.30	2546	28.6
0.40	2366	28.8
0.50	2010	28.8
0.60	1722	28.8
0.70	1216	28.6
0.80	760	27.0
0.90	502	27.6
1.10	STALL @ 1.1"	31.2

